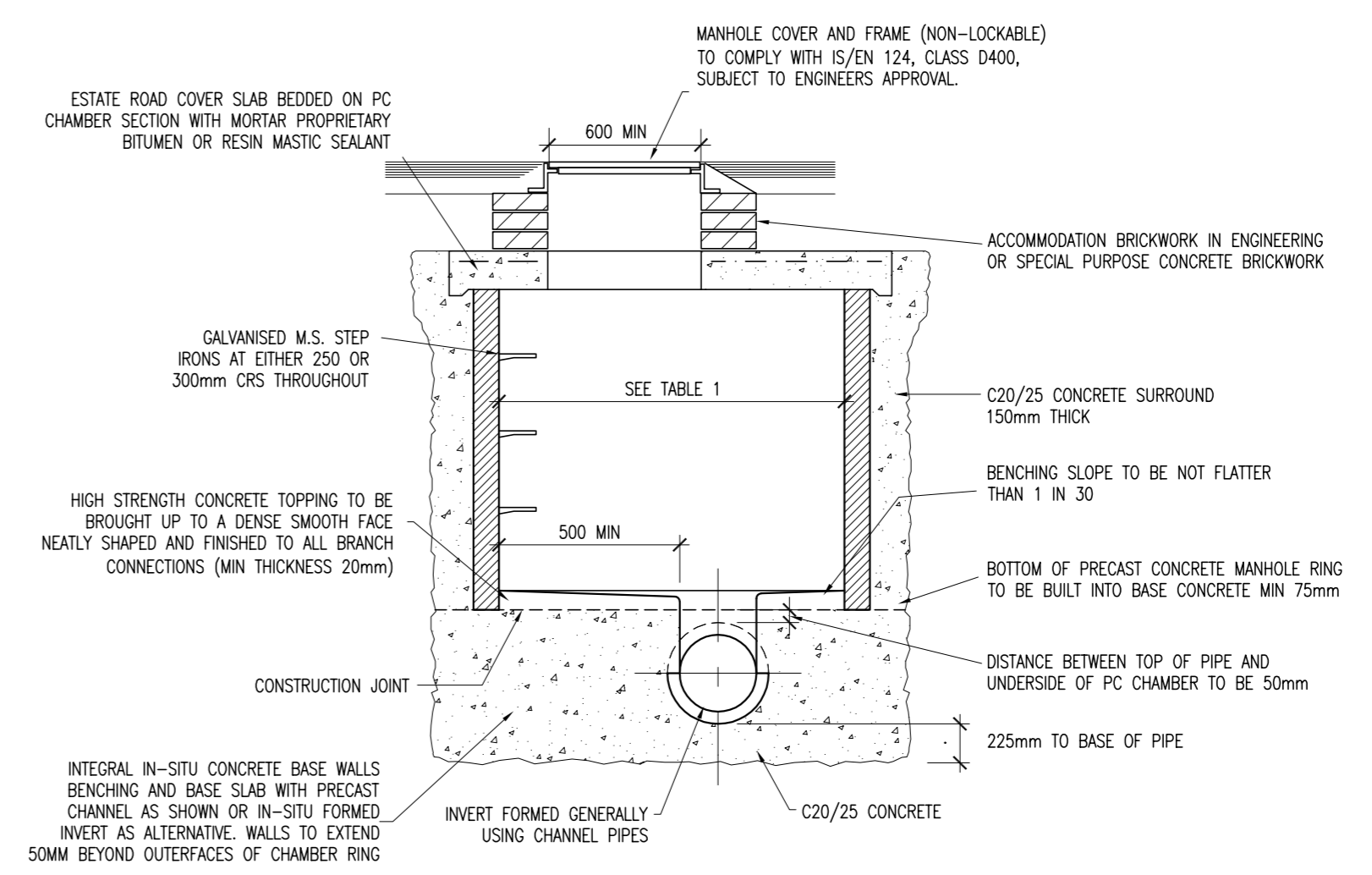
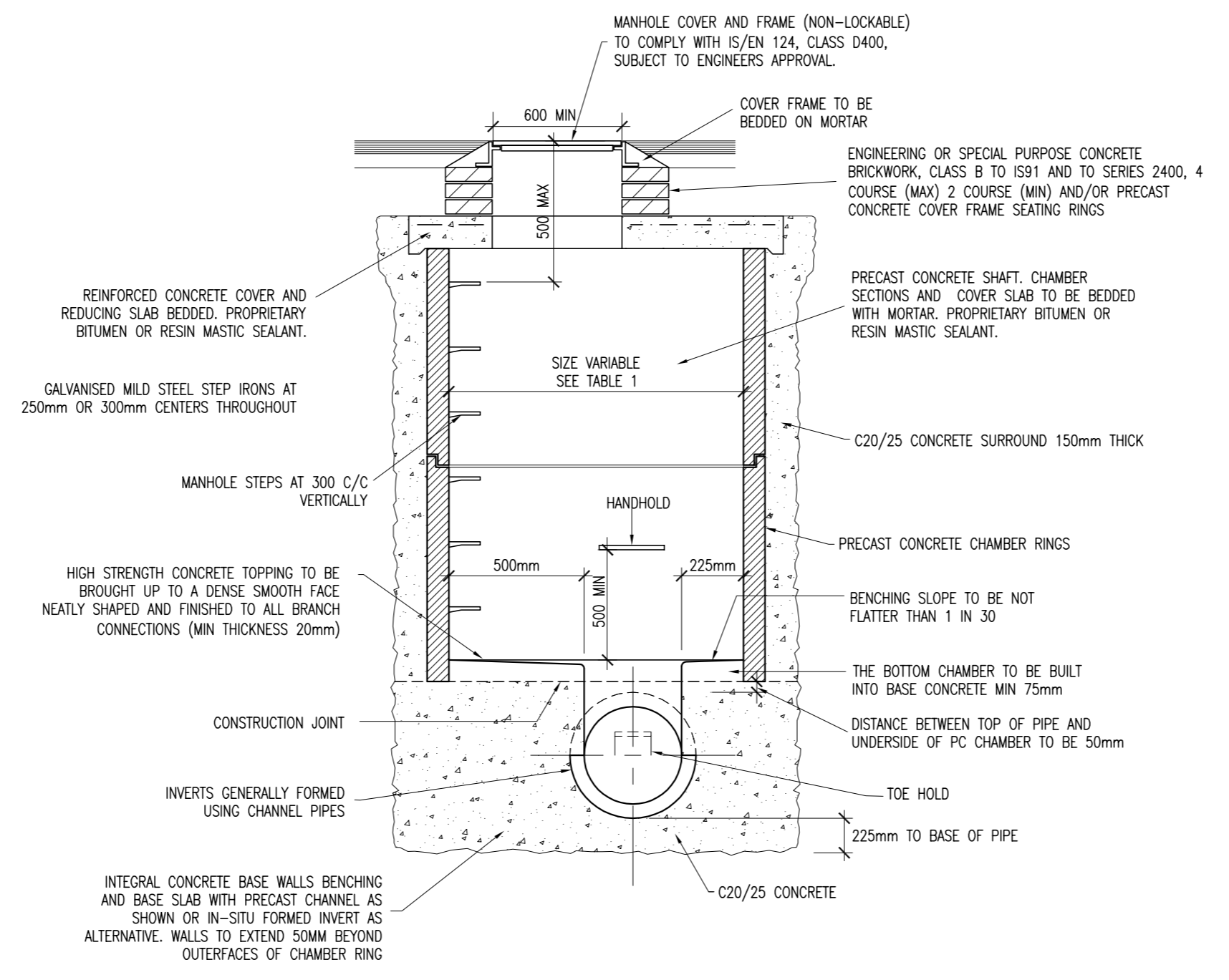
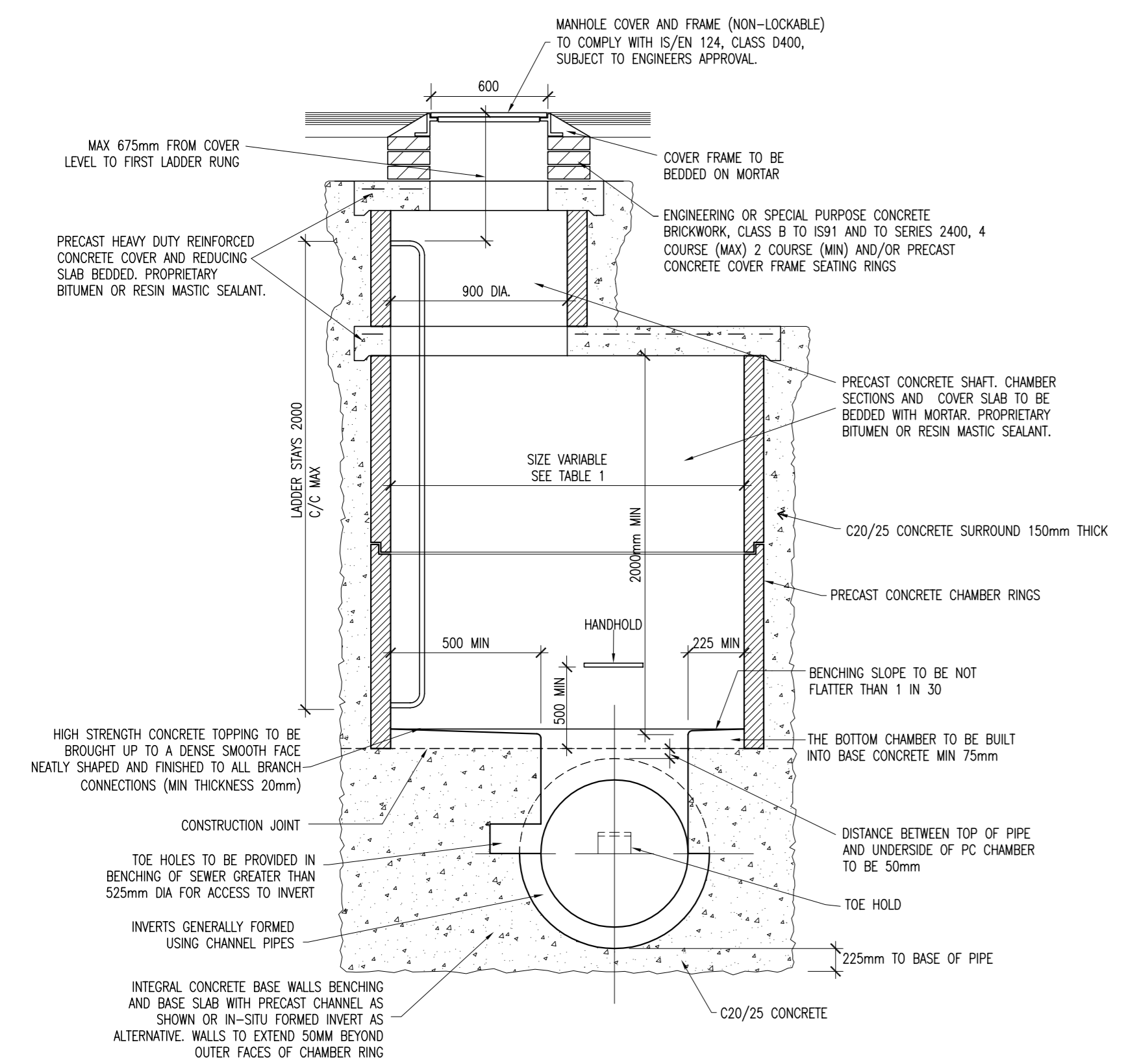


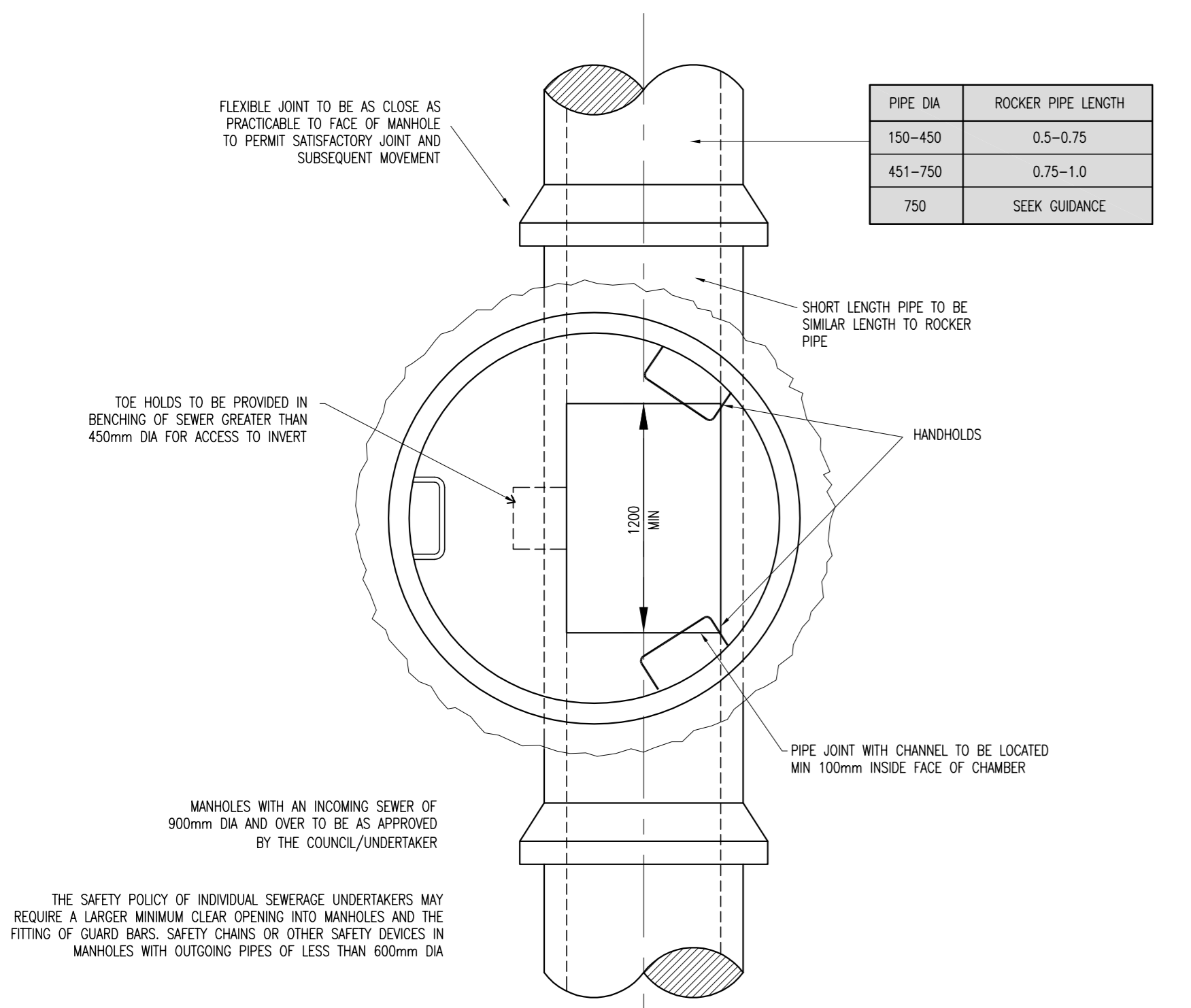
ON ORIGINAL

NOTES:  
 1. ALL REINFORCED CONCRETE ON THIS DRAWING SHALL BE: C25/30 WITH COVER = 50mm MIN. WITH A MINIMUM CEMENT CONTENT OF 280 kg/m<sup>3</sup>, MAXIMUM W/C RATIO OF 0.65 AND SLUMP CLASS S2.  
 2. SURFACE FINISHES FOR CONCRETE:  
 - CLASS F1 FOR ALL CONCRETE 100mm OR MORE BELOW GROUND LEVEL.  
 - CLASS F3 FOR ALL EXPOSED CONCRETE ABOVE 100mm BELOW GROUND LEVEL.  
 3. ALL EXPOSED CORNERS ON CONCRETE SHALL BE CHAMFERED WITH 25mm x 25mm CHAMFERS.  
 4. ALL STRUCTURAL CONCRETE (HEADWALLS, RC MANHOLES, PETROL INTERCEPTOR SLABS) TO RECEIVE MC DUR 1680 (OR SIMILAR APPROVED TAR MODIFIED EPOXY RESIN) TO ALL BURIED SURFACES, TO FINISH 100mm BELOW GROUND LEVEL.  
 5. ALL SEWERS SHALL BE PRESSURE TESTED PRIOR TO BACKFILLING.  
 6. RIGID PIPES SHALL MEAN CAST OR SPUN IRON, CONCRETE, ASBESTOS CEMENT OR CLAY.

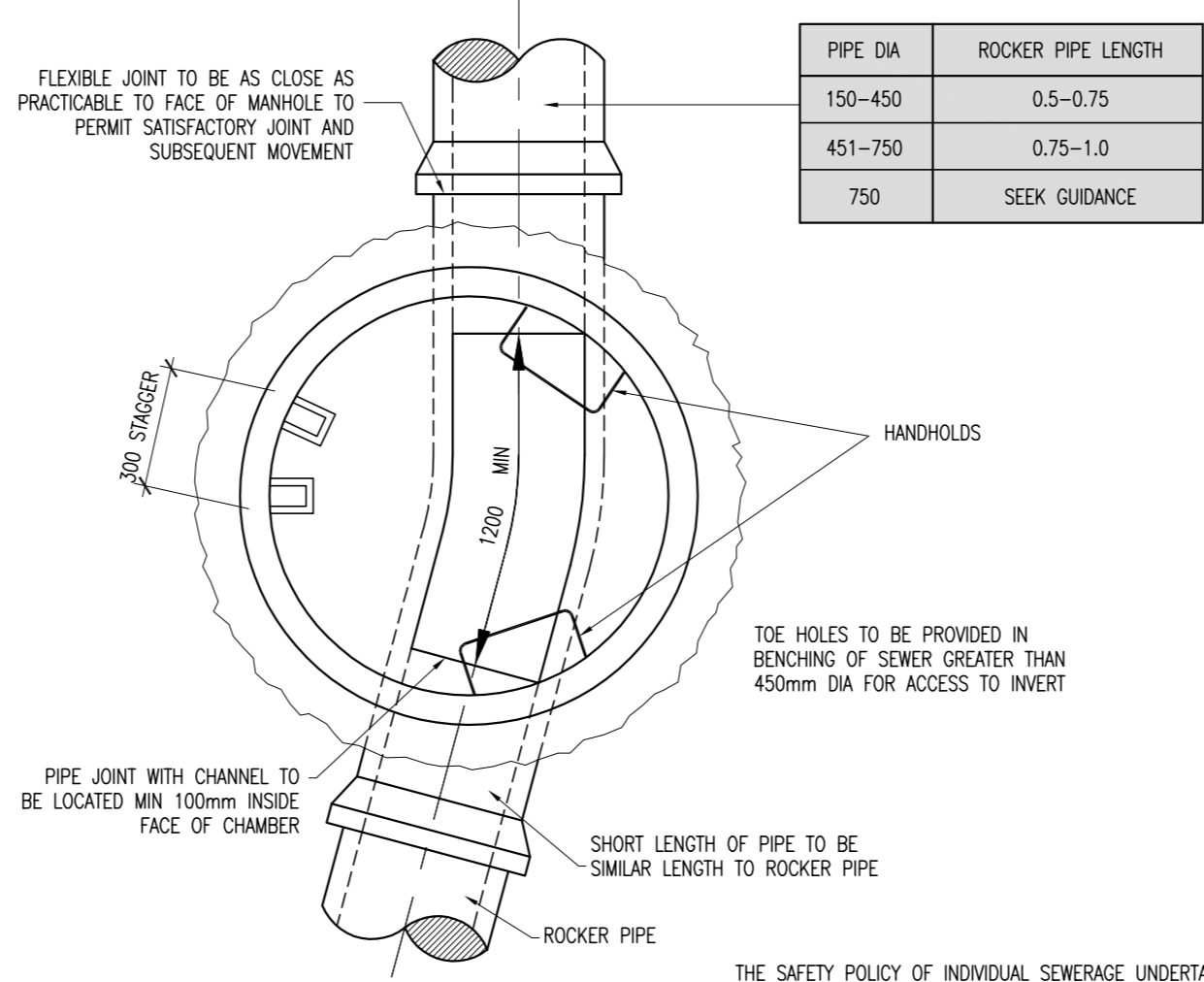
NOTE:  
 ALL WORKS TO BE UNDERTAKEN IN ACCORDANCE WITH:  
 • TII SPECIFICATION FOR ROADWORKS  
 • GREATER DUBLIN CODE OF PRACTICE FOR DRAINAGE WORKS  
 • RECOMMENDATIONS FOR SITE DEVELOPMENT WORKS  
 • IRISH WATER CODE OF PRACTICE



TYPICAL MANHOLE DETAIL  
 [DEPTH TO SOFFIT 1.0 TO 1.35m]



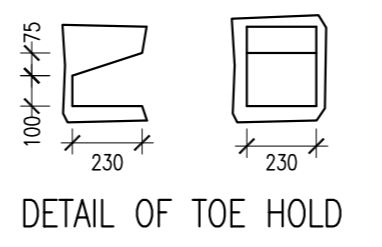
TYPICAL MANHOLE DETAIL  
 [DEPTH TO SOFFIT 3 TO 6m]



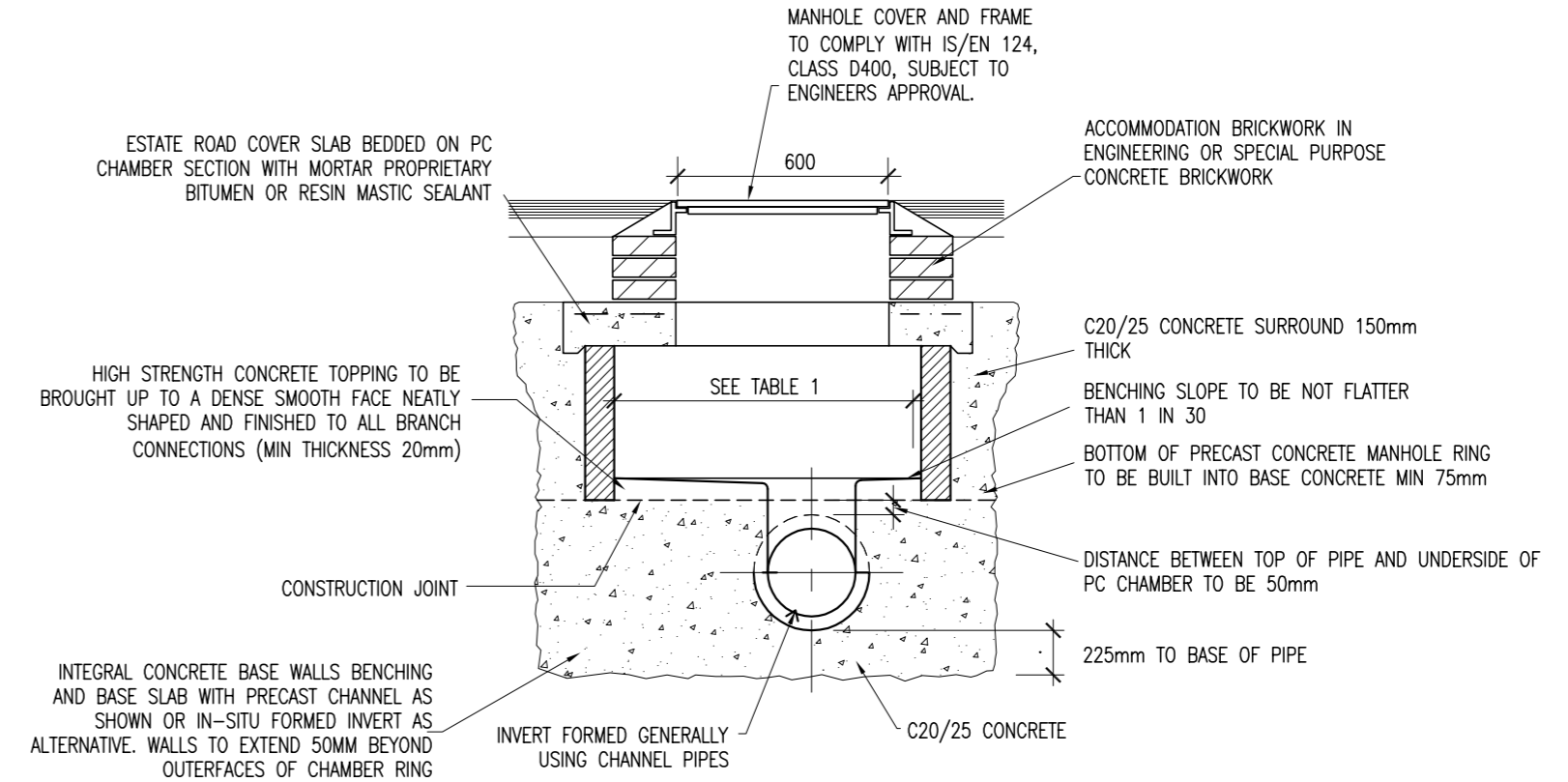
TYPICAL MANHOLE DETAIL  
 [DEPTH TO SOFFIT 1.35 TO 3m]

PIPE DIA	ROCKER PIPE LENGTH
150-450	0.5-0.75
451-750	0.75-1.0
750	SEEK GUIDANCE

PIPE DIA	ROCKER PIPE LENGTH
150-450	0.5-0.75
451-750	0.75-1.0
750	SEEK GUIDANCE



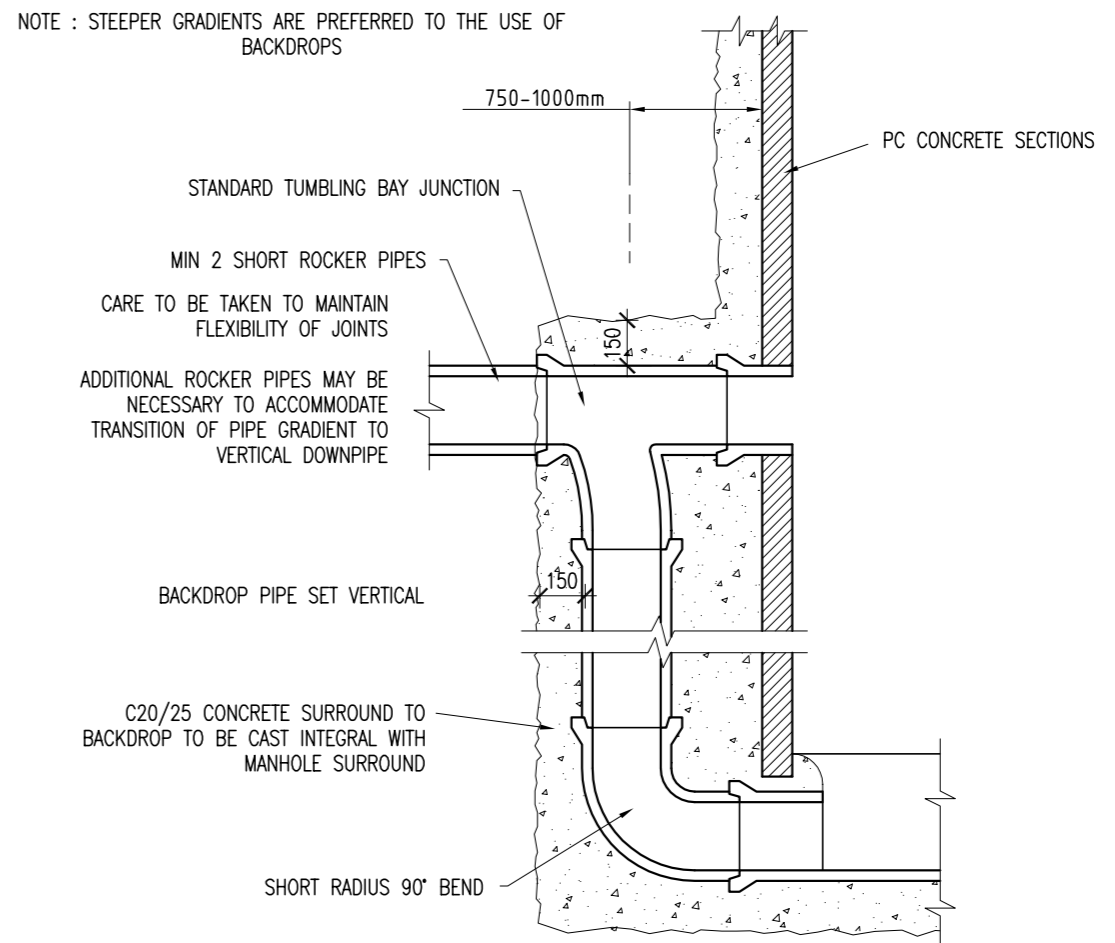
DETAIL OF TOE HOLD



TYPICAL MANHOLE DETAIL  
 [DEPTH TO SOFFIT LESS THAN 1.0m]

DIAMETER OF LARGEST PIPE IN MANHOLE (mm)	CHAMBER SECTION DIAMETER (mm)		
	1m - 3m	3m - 6m	6m - 12m
LESS THAN 375	1050	1050	1500
<600	1200	1200	1500
<675	1350	1350	1500
<750	1350	1500	1500
<900	1500	1500	1500
<1200	2100	2100	2100

TABLE 1



TYPICAL VERTICAL BACKDROP DETAIL

MANHOLES WITH AN INCOMING SEWER OF 900mm DIA AND OVER TO BE AS APPROVED BY THE COUNCIL/UNDERTAKER

THE SAFETY POLICY OF INDIVIDUAL SEWERAGE UNDERTAKERS MAY REQUIRE A LARGER MINIMUM CLEAR OPENING INTO MANHOLES AND THE FITTING OF GUARD BARS, SAFETY CHAINS OR OTHER SAFETY DEVICES IN MANHOLES WITH OUTGOING PIPES OF LESS THAN 600mm DIA

NOTE: STEEPER GRADIENTS ARE PREFERRED TO THE USE OF BACKDROPS

REV	DATE	DESCRIPTION	BY	CHKD
A	14/06/19	REVISED FOR PLANNING	KAL'E	SVL

**PLANNING**

DESIGNED: SVL PREPARED: KAL'E  
 DATE: JUN 2019 CHECKED: PFM

**DBFL** Dublin Office Ormond House, Upper Ormond Quay, Dublin 7, Ireland. PHONE: +353 1 400 4000 FAX: +353 1 400 4000  
 Waterford Office Unit 2, The Chandery, 1-2 O'Connell Street, Waterford, Ireland. PHONE: +353 51 339 500 FAX: +353 51 844 913

DBFL Consulting Engineers email: info@dbfl.ie site: www.dbfl.ie

PROJECT  
**PROPOSED RESIDENTIAL DEVELOPMENT AT CHURCH ROAD, KILLINEY, CO. DUBLIN**

DRG. TITLE  
**STANDARD SURFACE WATER MANHOLE DETAILS**

ARCHITECT  
**OMAHONY PIKE ARCHITECTS**