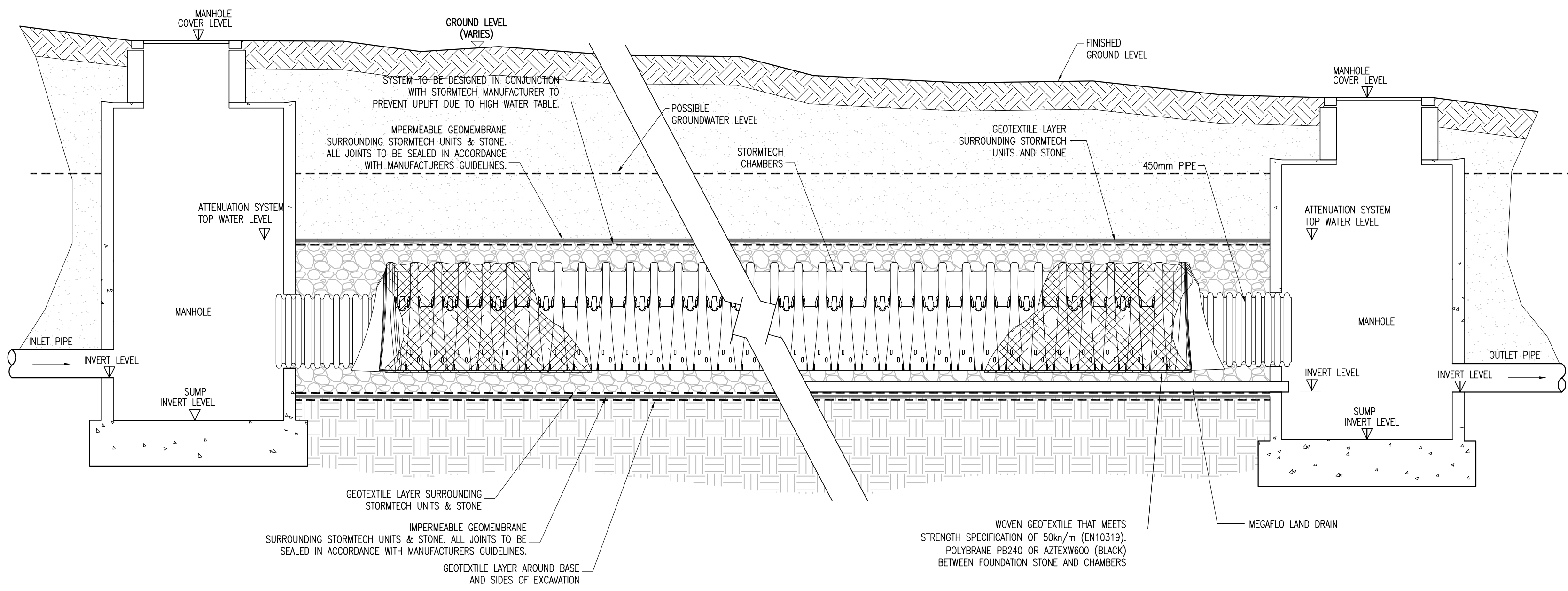
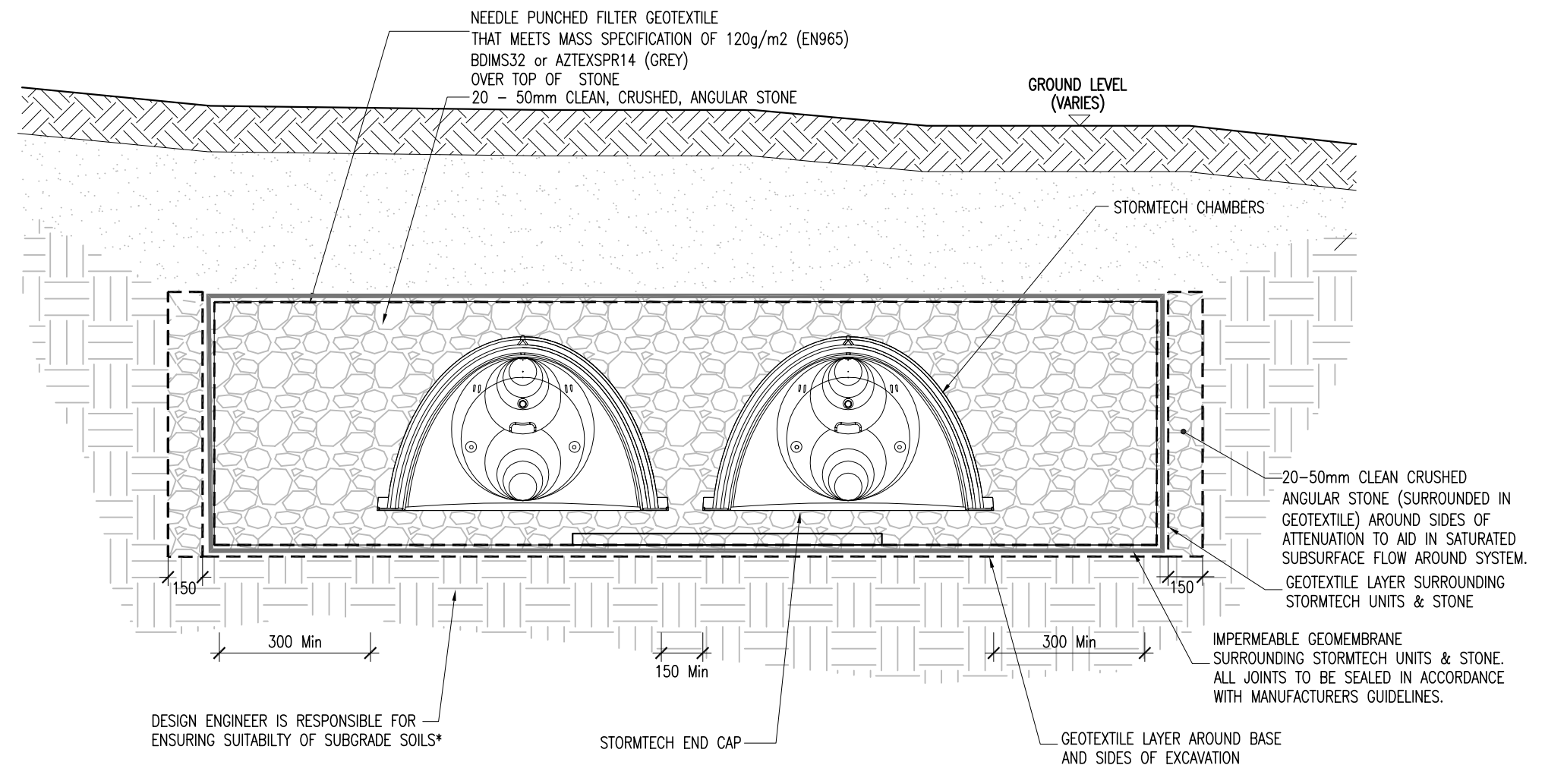


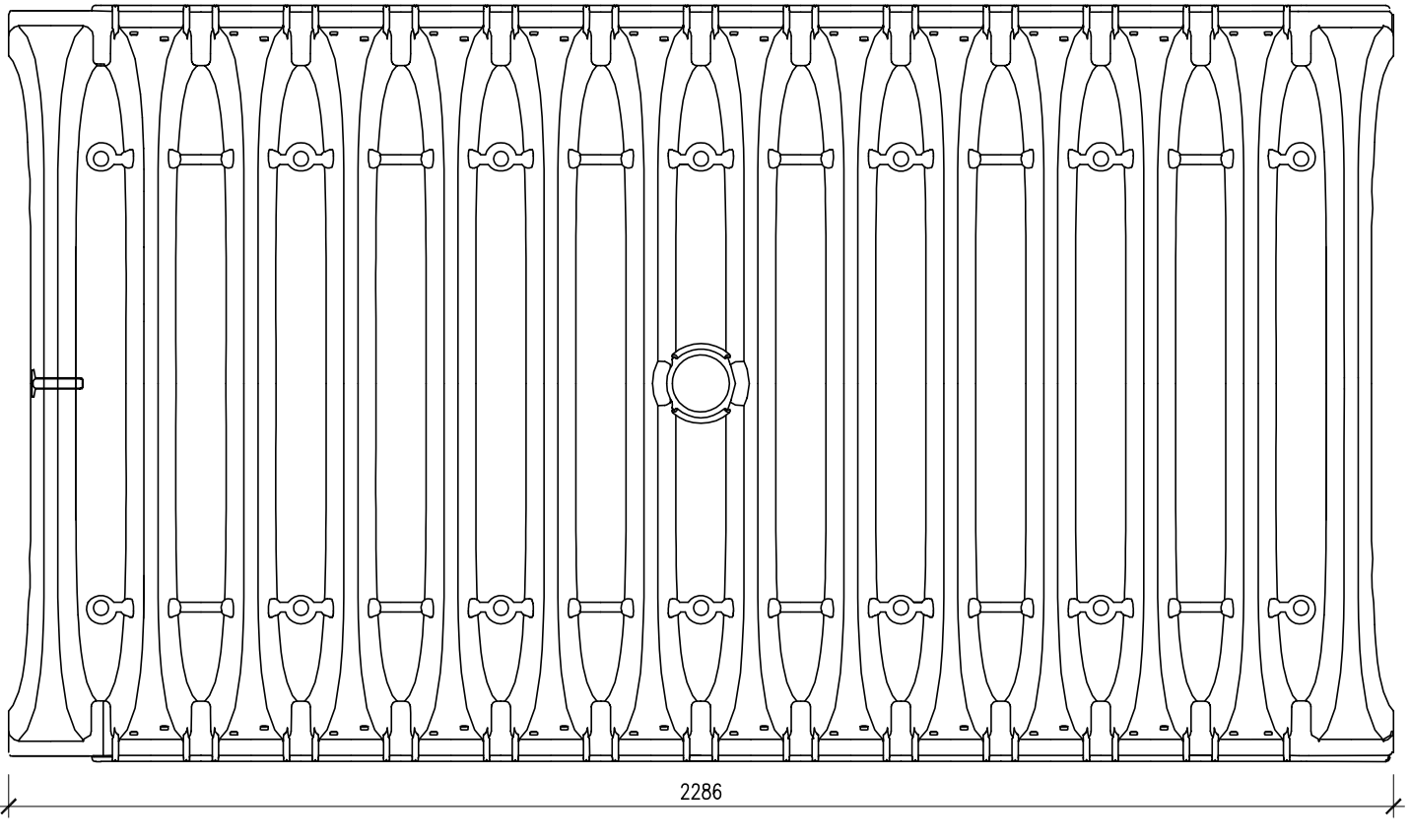
NOTES:
 • WHERE STRUCTURAL SLAB WITH WALL SUPPORT IS REQUIRED, STRUCTURAL SLAB TO BE SUPPORTED ON LEAN MIX CONCRETE WALLS. SPACING AND THICKNESS TO STRUCTURAL ENGINEERS DETAILS.



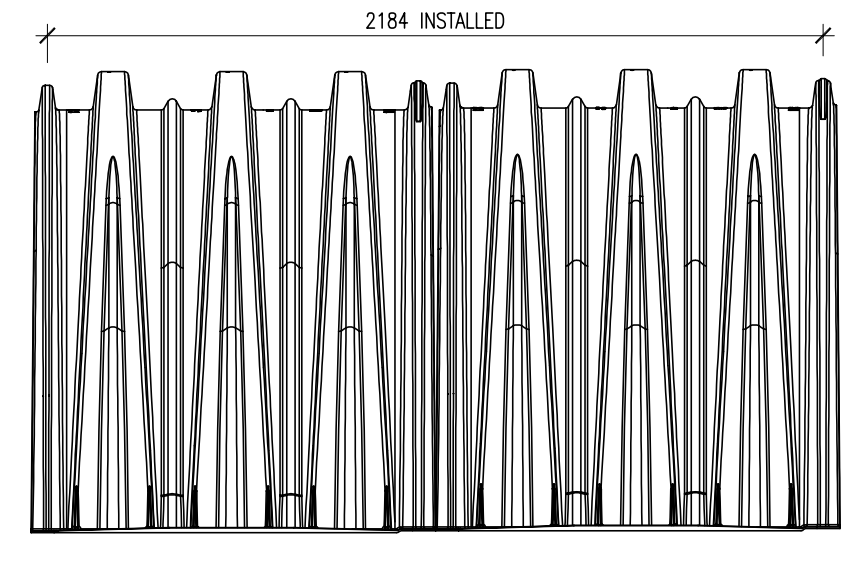
STORMTECH CHAMBER SYSTEM ELEVATION
 SCALE 1:25



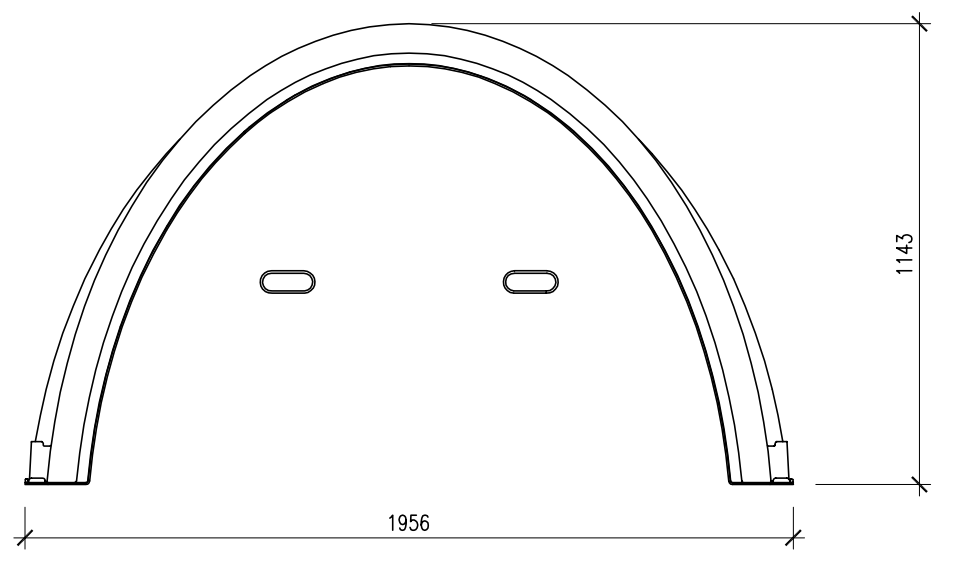
SECTION A-A STORMTECH CHAMBER SYSTEM
 SCALE 1:25



PLAN



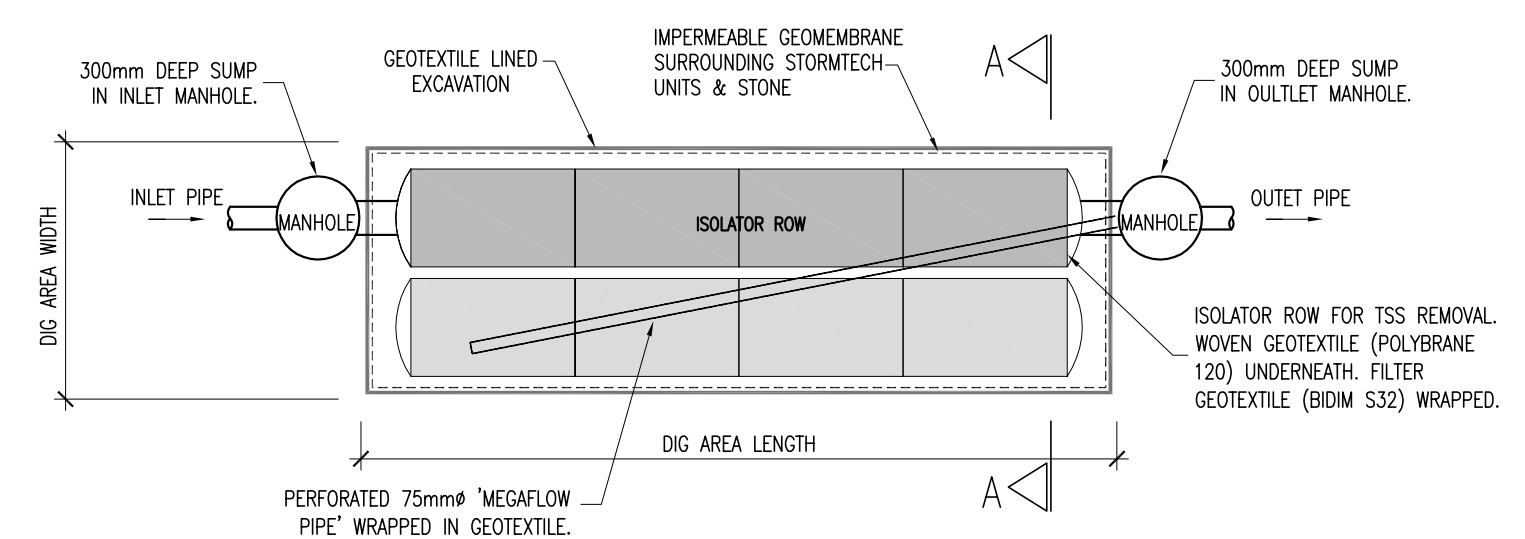
ELEVATION



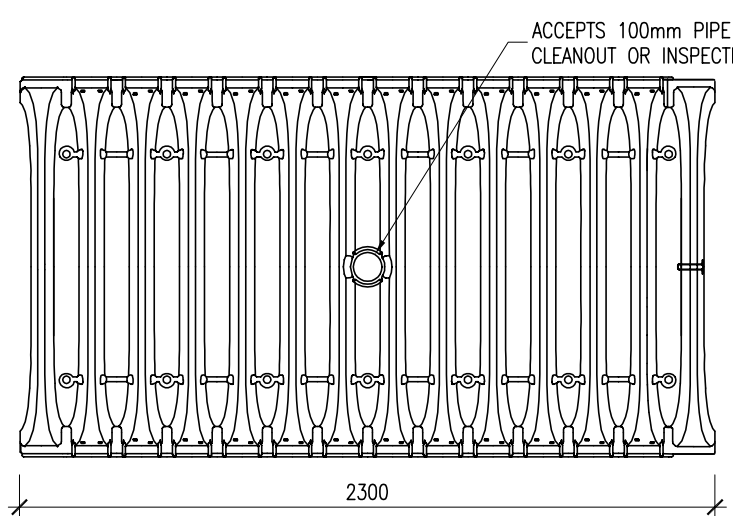
SECTION

NOMINAL CHAMBER SPECIFICATIONS
 SIZE (W x H x INSTALLED LENGTH) - 1956 x 1143 x 2184
 CHAMBER STORAGE - 3.11 CUBIC METERS
 MINIMUM INSTALLED STORAGE - 5.06 CUBIC METERS
 WEIGHT - 60.8 KG

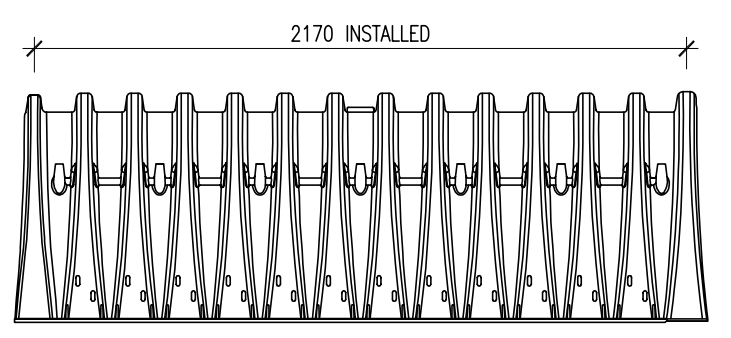
STORMTECH MC-3500 CHAMBER SYSTEM
 SCALE 1:25



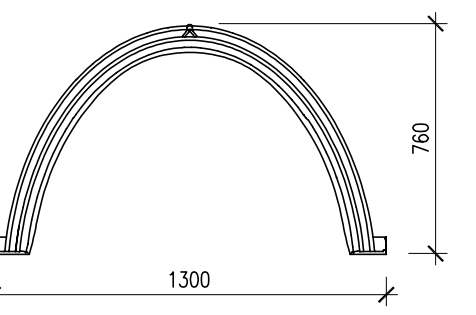
SCHEMATIC STORMTECH ATTENUATION PLAN
 NTS



PLAN



ELEVATION



SECTION

NOMINAL CHAMBER SPECIFICATIONS
 SIZE (W x H x INSTALLED LENGTH) - 1300 x 760 x 2170
 CHAMBER STORAGE - 1.3 CUBIC METERS
 MINIMUM INSTALLED STORAGE - 2.12 CUBIC METERS
 WEIGHT - 34 KG

STORMTECH SC-740/DC-780 CHAMBER SYSTEM
 SCALE 1:25

1. Refer to Drawing 180153-3000 and for locations of attenuation, existing and proposed levels and Stormtech chamber Types
2. Refer to Ground Investigation Report for locations of groundwater monitoring boreholes and levels of groundwater
3. Groundwater Level is level below existing ground

Stormtech Chamber/Catchment	Max Proposed GL (m)	Min Proposed GL (m)	Tank TL (m)	Stormtech Chamber Type	Top of Arch Level (m)	Cover Range (m)	Existing GL (m)	Max GWL (m)	Impermeable Membrane for tanked system (Y/N)	System required to prevent unit uplift (Y/N)	Structural Slab With Wall Support Required (Y/N)
A	52.3	50.5	47.91	DC-780	48.67	1.83-3.48	51.5	1.69-2.2	48.8	Y	N
B	50.34	49.9	47.23	SC-740	47.99	1.76-2.20	49.5	1.69-2.2	47.81	Y	N

STORMTECH ATTENUATION TANK INFORMATION

REV	DATE	DESCRIPTION	BY	CHKD
B	21/06/19	STORMTECH DETAIL REVISED	KAL'E	SVC
A	14/06/19	REVISED FOR PLANNING	KAL'E	SVC

PLANNING

DESIGNED	SVC	PREPARED	KAL'E
DATE	JUN 2019	CHECKED	PMF



Waterford Office Unit 2, The Chandlery,
 1-2 O'Connell Street, Waterford, Ireland.
 Phone +353 51 309 500
 Fax +353 51 844 913

DBFL Consulting Engineers email: info@dbfl.ie site: www.dbfl.ie

PROJECT
PROPOSED RESIDENTIAL DEVELOPMENT AT CHURCH ROAD, KILLINEY, CO. DUBLIN

DRG. TITLE
STANDARD SUDS DETAILS SHEET 1 OF 2

ARCHITECT
OMAHONY PIKE ARCHITECTS

SCALE 1:25 @A1 FILE REF. 180153-3021

DRG. NO. **180153-3025** **B**